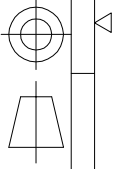


SECURITY CLASSIFICATION

SERVICE DRG. NO.

A004-2452-008

3RD ANGLE PROJECTION



ALL DIMENSIONS IN TOLERANCES EXCEPT AS STATED

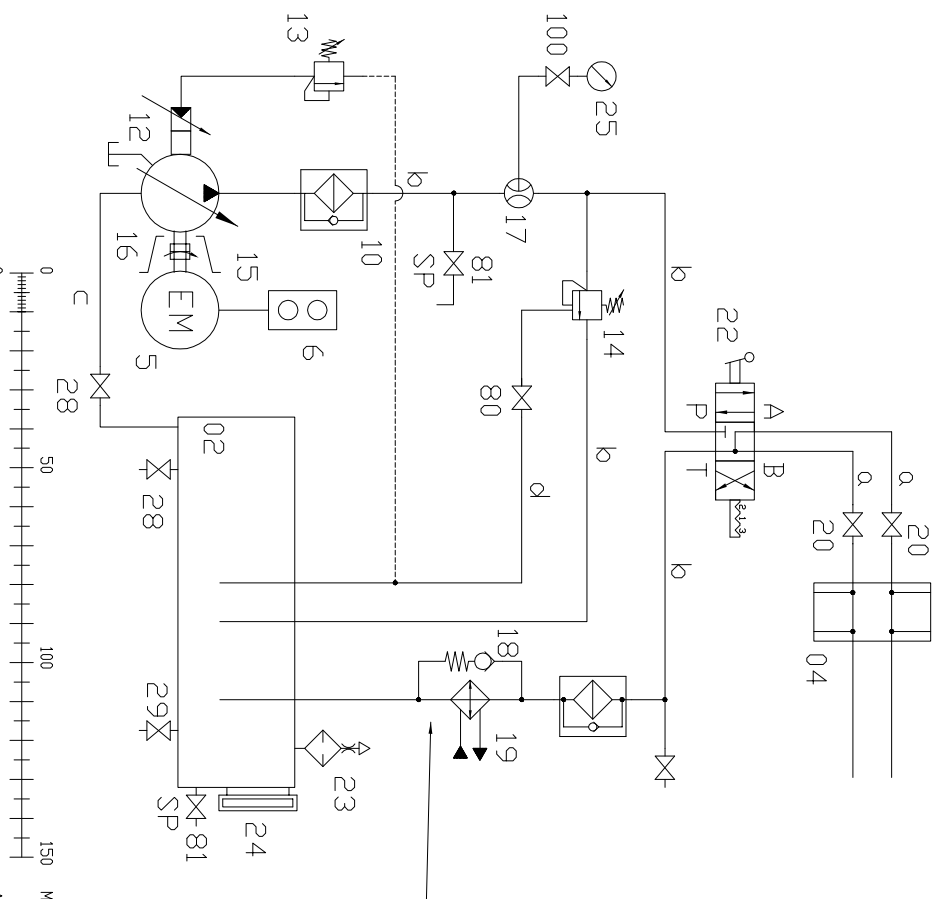
USED ON

HYD PUMP
DYNEX PV2024-3088
DISP/REV 39 CC
PRESSURE 3000PSI

50HZ SUPPLY - 1460 RPM
MAX FLOW AT 3000 PSI - 56.94 LPM-0 REV
60HZ SUPPLY - 1750 RPM
MAX FLOW AT 3000 PSI - 68.25 LPM-0 REV

MAX INLET PRESS. 600 PSI
MAXIMUM FLOW
120 LPM - FRESH WATER
90 LPM - SALT WATER

NOTE:- WATER PRESSURE MUST ALWAYS BE LOWER THAN OIL PRESSURE



CHANGE	ISSUE	DATE	MOD	CHECKED
02	30/08/05	KGH		
01	07/07/05			

DRAWN BY		KGH		07/07/05	
CHECKED					
CERTIFIED					
NAME		DATE			
THIS DRAWING HAS BEEN PRODUCED USING CAD. NO MODIFICATIONS ARE TO BE UNDERTAKEN UNLESS ON CAD.					
MATERIAL		HEAT TREATMENT			
SURFACE FINISH		SURFACE HARDNESS			
MATERIAL TEST		PROTECTIVE FINISH			
HYDRAULIC TEST PROCEDURE		CLEANLINESS SPECIFICATION			
QUALITY ASSURANCE GRADE		PATTERN NO			
ESTIMATED MASS					
SCALE		AS SHOWN			
ALL THREADS TO CONFORM WITH BS SPECIFICATIONS		SURFACE TEXTURE IN MICROMETRES			
EXCEPT AS STATED		PD BOX 1,HUNTER AVENUE,LDANHEAD,MIDLOTHIAN EH20 9SP			
TITLE		CONTRACTOR			
HYDRAULIC SCHEMATIC LP FLUSHING RIG		MACSCOTT BOND LTD.			
RESPONSIBLE AUTHORITY		SECURITY CLASSIFICATION			
CONTRACTORS DRG. NO.		2452-015			
SERVICE DRG. NO.		A004-2452-008			
SHEET NO		SHEET NO		ISSUE	
01		01		02	